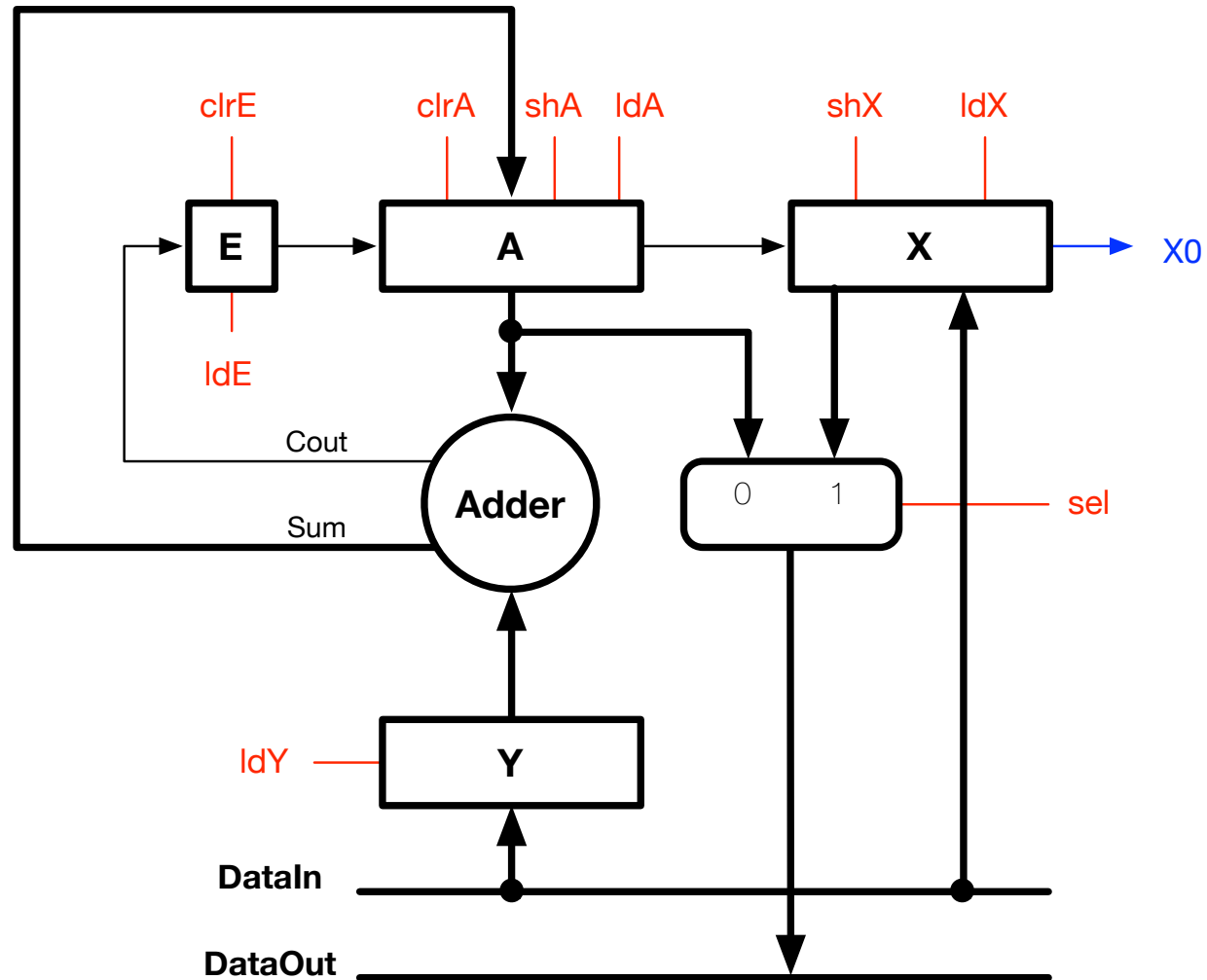
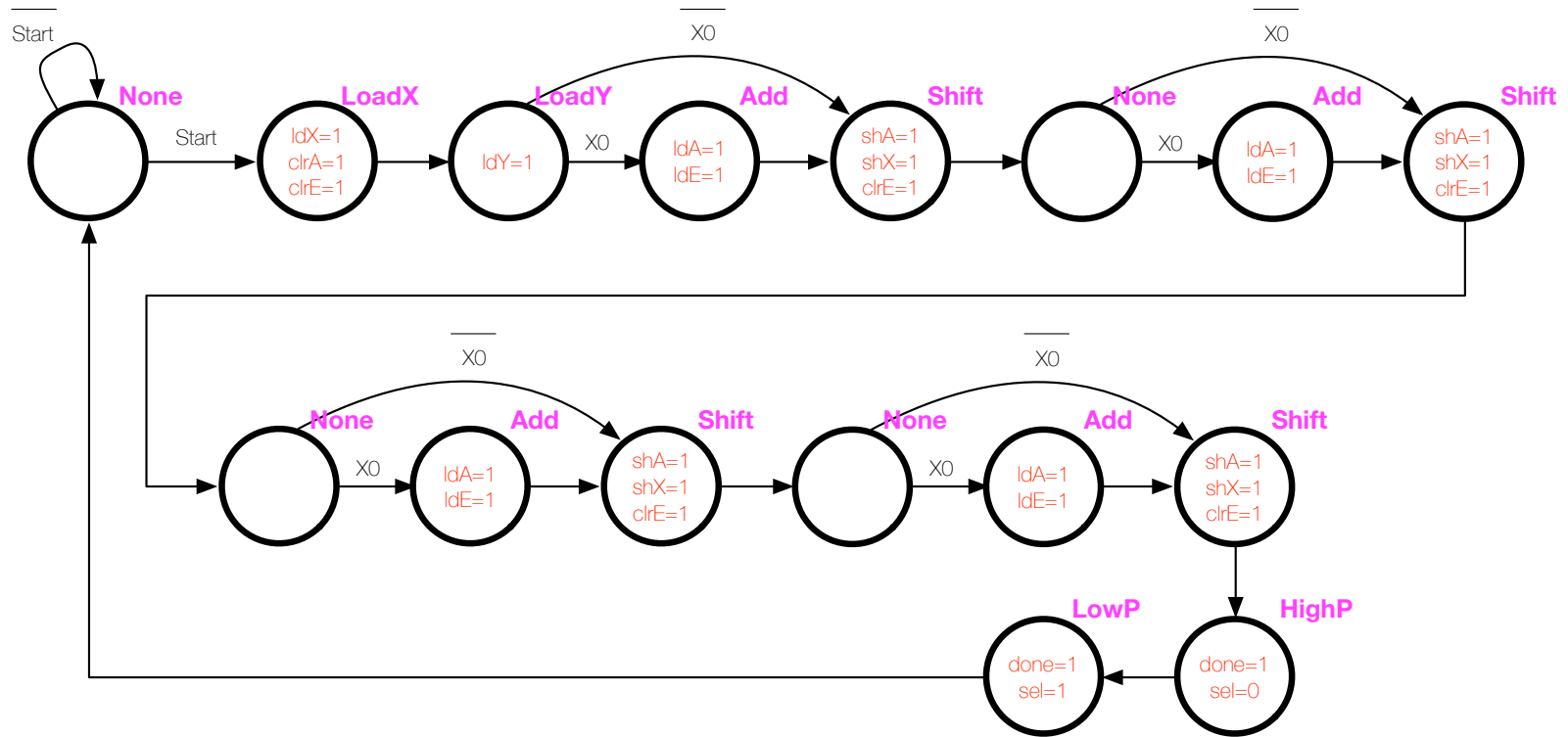


Add & Shift Multiplier

1- Data-Path



2-1- Controller (Finite State Machine)



2-2- Controller (Micro-programming)

